



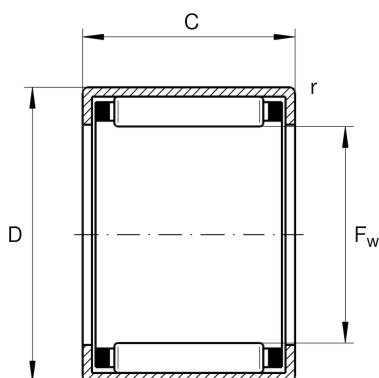
## HK1212

Drawn cup needle roller bearing open end

Schaeffler ID:  
0000591960000

Drawn cup needle roller bearings with  
open ends HK, to DIN 618/ISO 3245

### Technical information



#### Main Dimensions & Performance Data

$F_w$	12 mm	Under roller diameter
$D$	18 mm	Outside diameter
$C$	12 mm	Width
$C_r$	6,500 N	Basic dynamic load rating, radial
$C_{0r}$	7,300 N	Basic static load rating, radial
$C_{ur}$	880 N	Fatigue load limit, radial
$n_G$	20,000 1/min	Limiting speed
$n_{G \text{ Grease}}$	12,000 1/min	Limiting speed for grease lubrication
$n_{gr}$	15,500 1/min	Reference speed
	8.92 g	Weight

#### Dimensions

	SD12X18X3	Sealing ring
$C_1$	12 mm	Width, outer ring
$r_{min}$	0.8 mm	Minimum chamfer dimension
	G12X18X3	Sealing ring 2
	LR8X12X12,5	Suitable inner rings LR
	IR8X12X12,5-XL	Suitable inner rings IR

#### Temperature range

$T_{min}$	-30 °C	Operating temperature min.
$T_{max}$	140 °C	Operating temperature max.